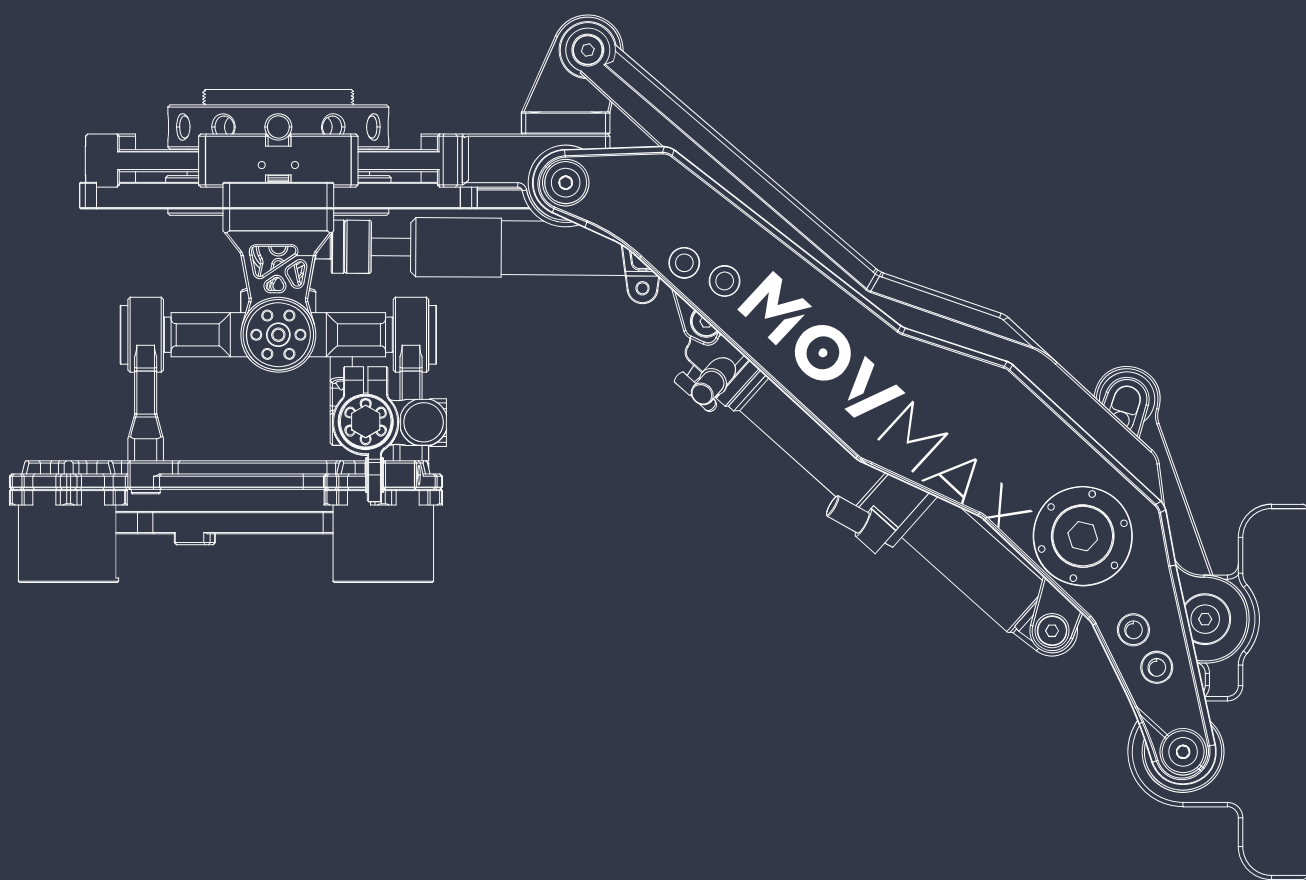


MOVMAX

# N<sub>2</sub> ARM

SHOCK ABSORPTION

APPLICATION MANUAL



# N2 ARM

## TECHNICAL SPECIFICATIONS

SIZE	690*355*392mm
PRESSURE RANGE	0-300Pa
PRESSURE RECOMMEND	200Pa
OPERATING TEMPERATURE	-35°C-80°C
NET WEIGHT	10.15kg
MAXIMUM CAPACITY	40kg
MAXIMUM LENGTH	300mm
PACKING WEIGHT	19kg



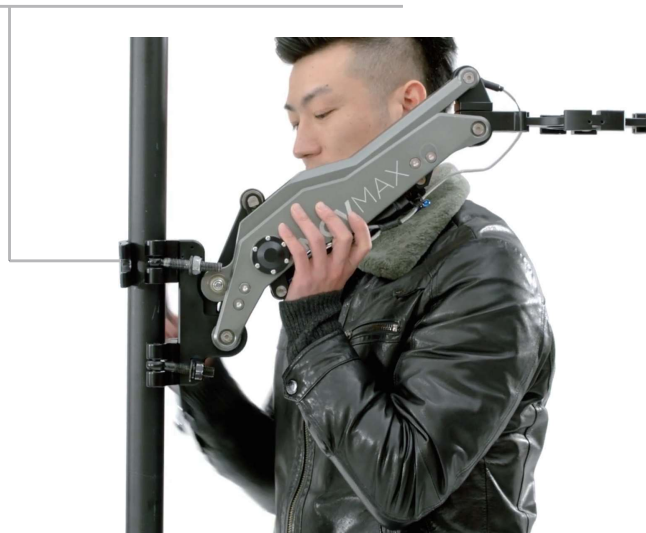
# PACKAGE LIST



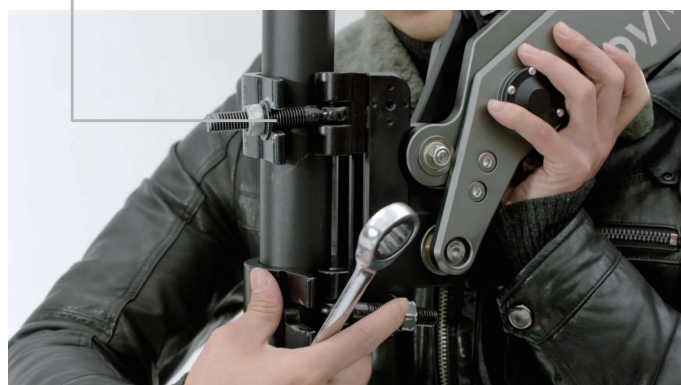
Standard Flight Case



1 Install the N2 Arm on standpipe

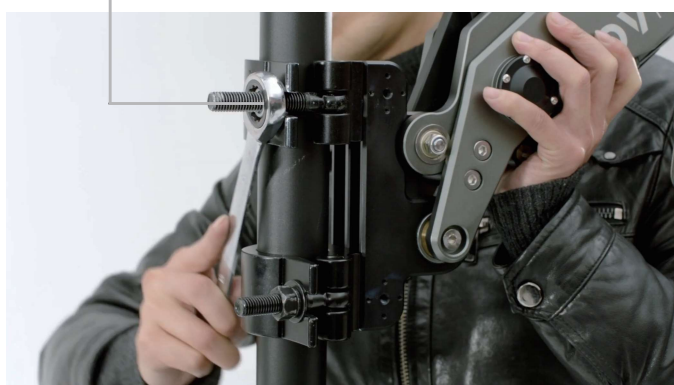


Positioning pin corresponds to the slot



2

3 Tighten the screws with ratchet wrench



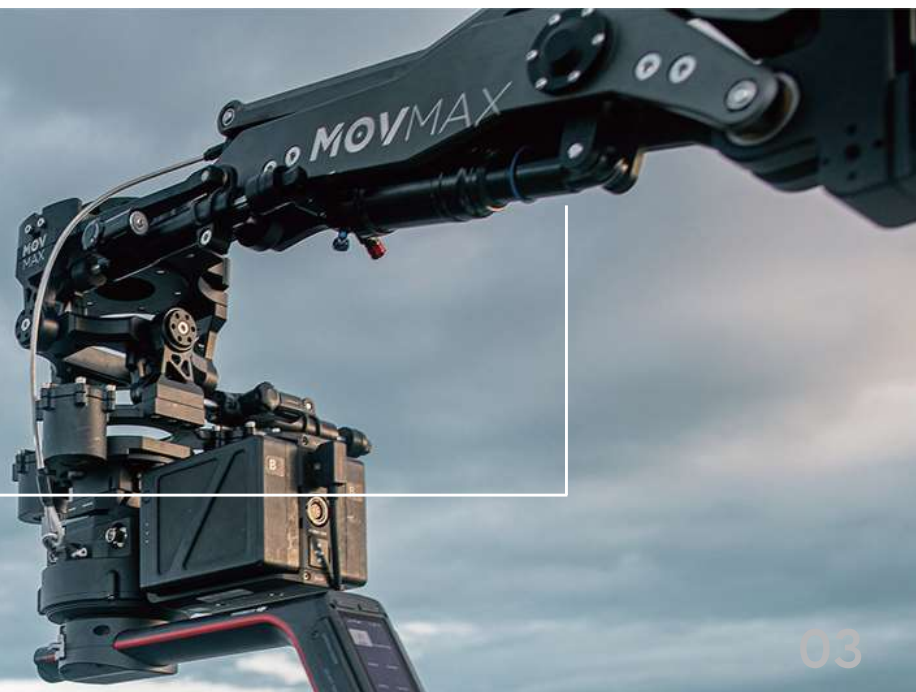


Take out the N2 Arm and unscrew the nuts

Tighten the nuts with Mitchell wrench

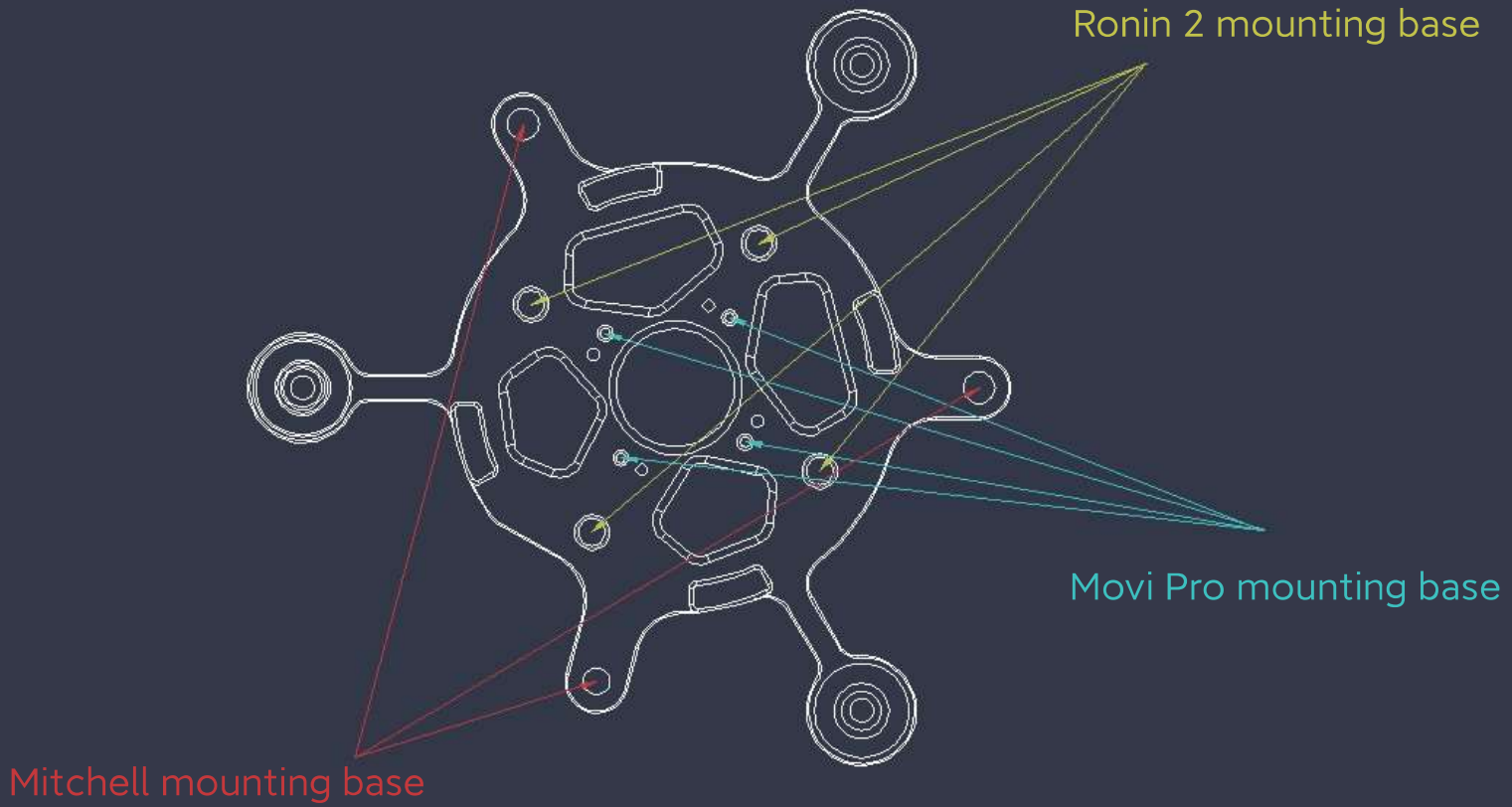


Notice the N2 Arm installation direction, the upper horizontal damping rod towards to arm body

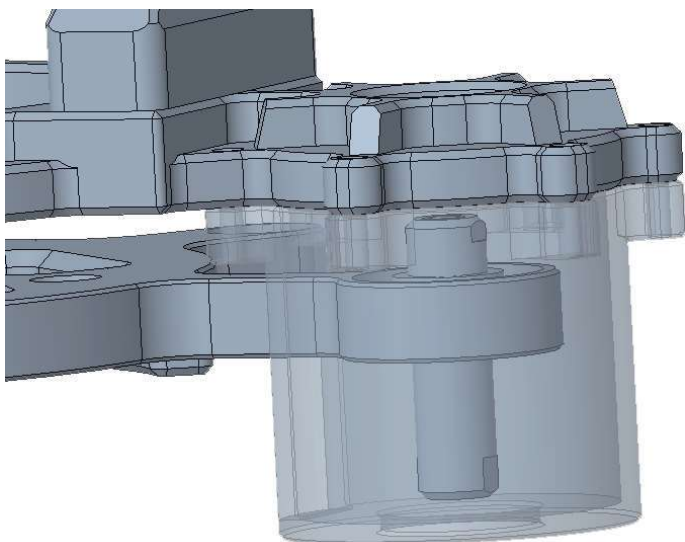




## Diagram of electronic stabilizer connector installation space



## Selection and installation of high-frequency shock-absorbing silicone rubber



0--10KG payload

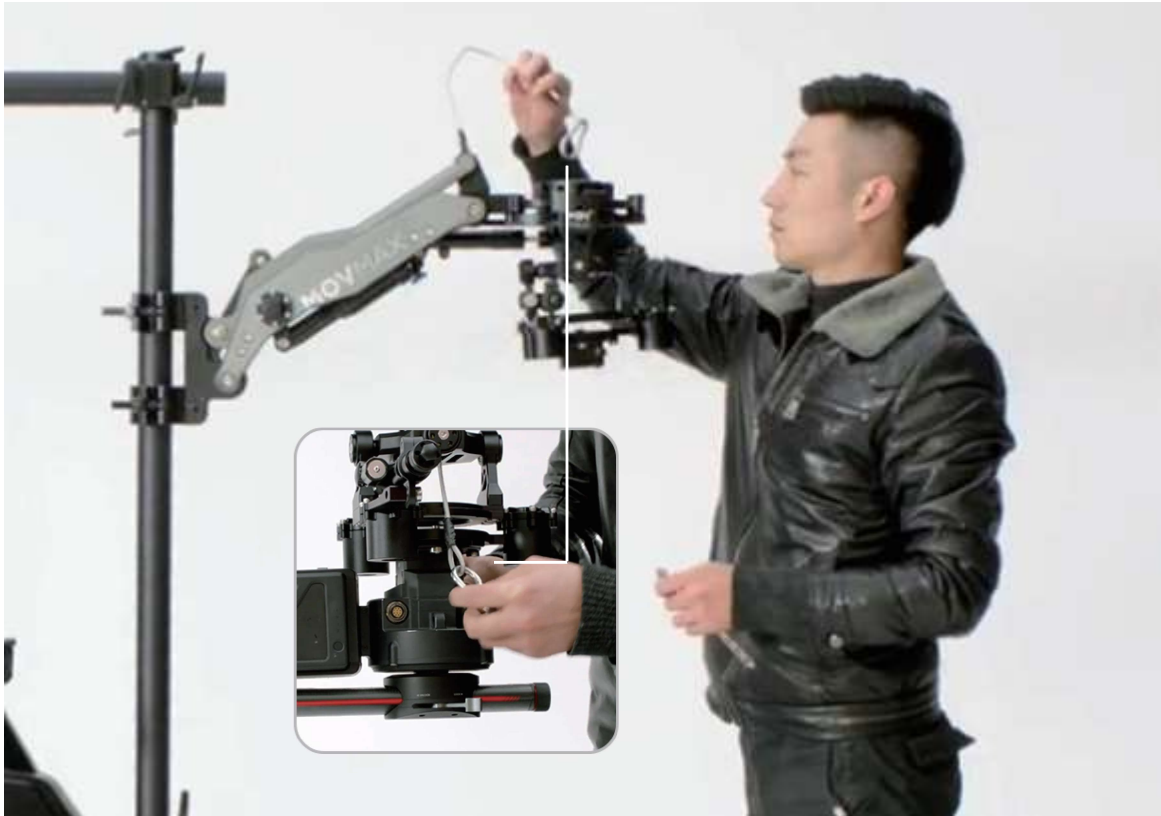


10--25KG payload



25--40KG payload

Safety string passes through the vibration isolator

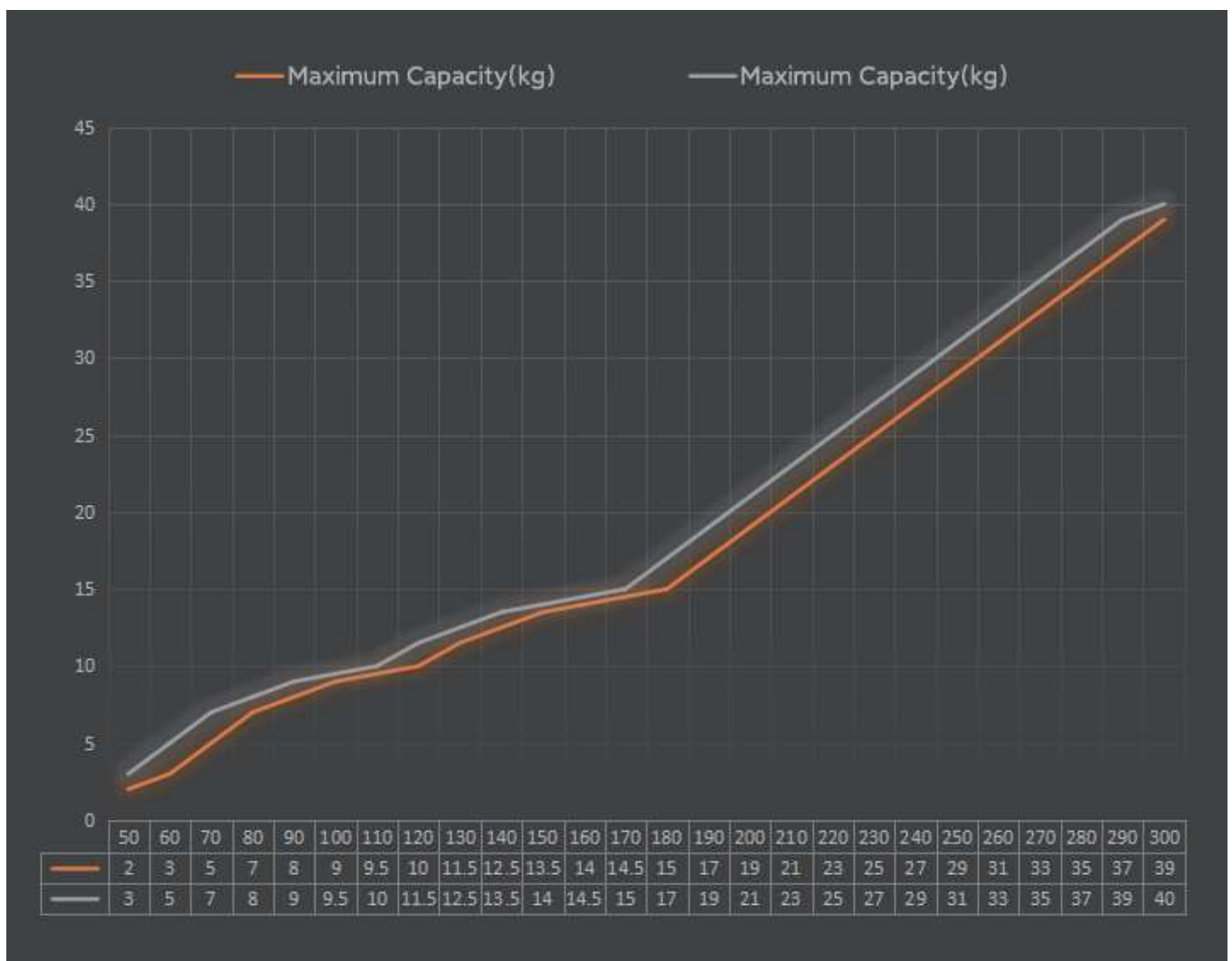


Check air pressure value through the inflator



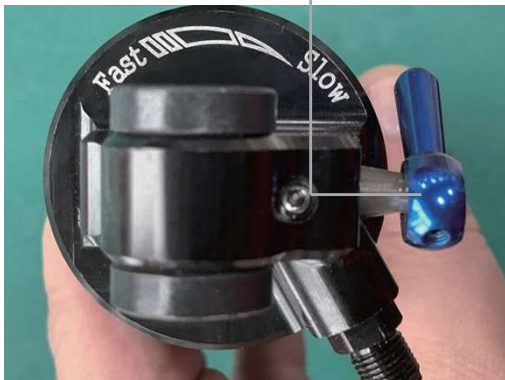
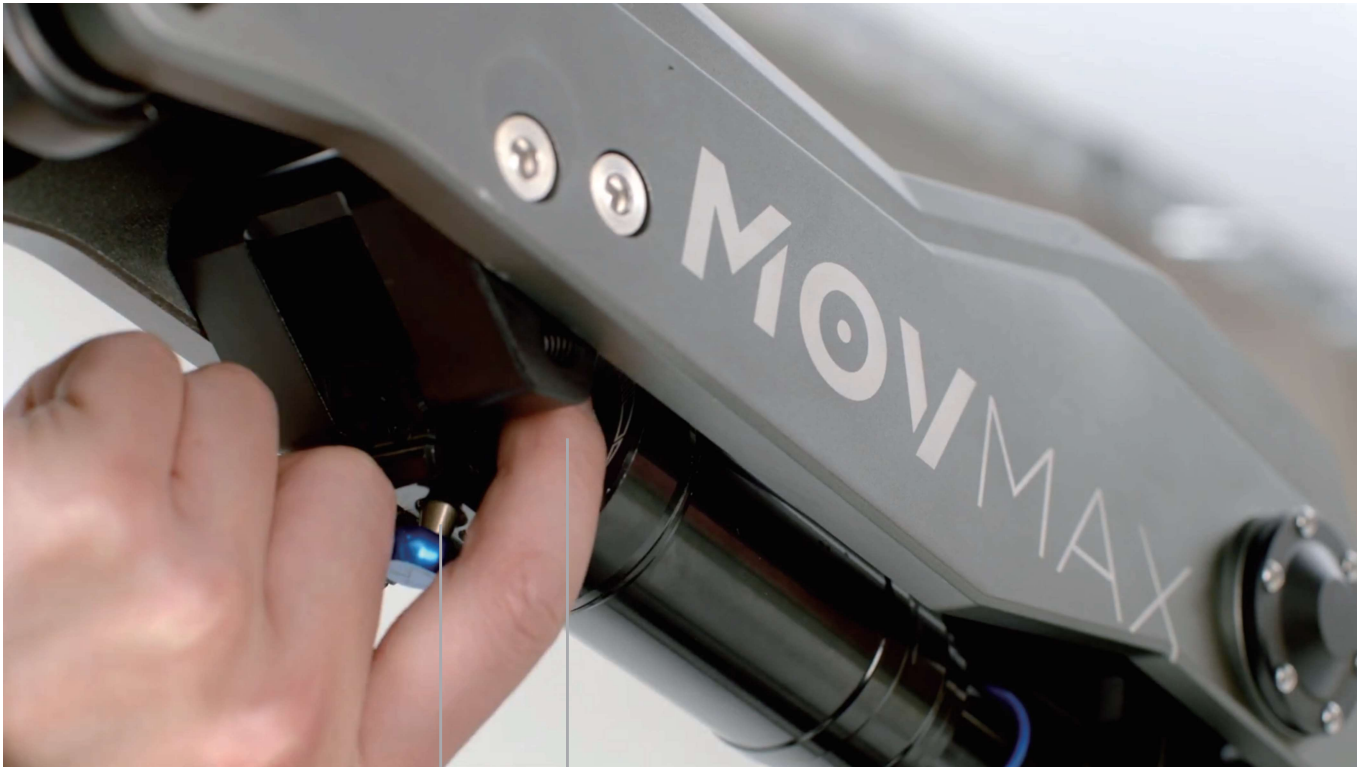
Notice: When inflating and deflating, raise the arm body to stretch the hydraulic air pump to its maximum stroke

Bear Load (kg)	2	2.5	3	3.5	4	4.5	5	5.5	6	6.5	7	7.5	8	8.5	9	9.5	10	10.5	11	11.5	
Air Pressure (psi)	50			60				70				80			90		100	110	120		
Bear Load (kg)	11.5	12	12.5	13	13.5	14	14.5	15	15.5	16	16.5	17	17.5	18	18.5	19	19.5	20	20.5	21	
Air Pressure (psi)	130			140			150	160	170	180			190			200					
Bear Load (kg)	21	21.5	22	22.5	23	23.5	24	24.5	25	25.5	26	26.5	27	27.5	28	28.5	29	29.5	30	30.5	
Air Pressure (psi)	210				220				230				240				250				
Bear Load (kg)	30.5	31	31.5	32	32.5	33	33.5	34	34.5	35	35.5	36	36.5	37	37.5	38	38.5	39	39.5	40	
Air Pressure (psi)	250	260				270				280				290				300			

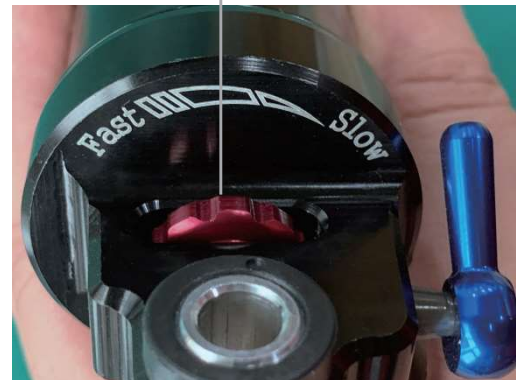


\* Refer to the air pressure adapter table, the temperature will change slightly according to the actual altitude. The air pressure needs to increase when the altitude rises. The air pressure needs to increase slightly when the temperature drops,

## N2 Arm Rebound Damping Speed Adjustment Knob



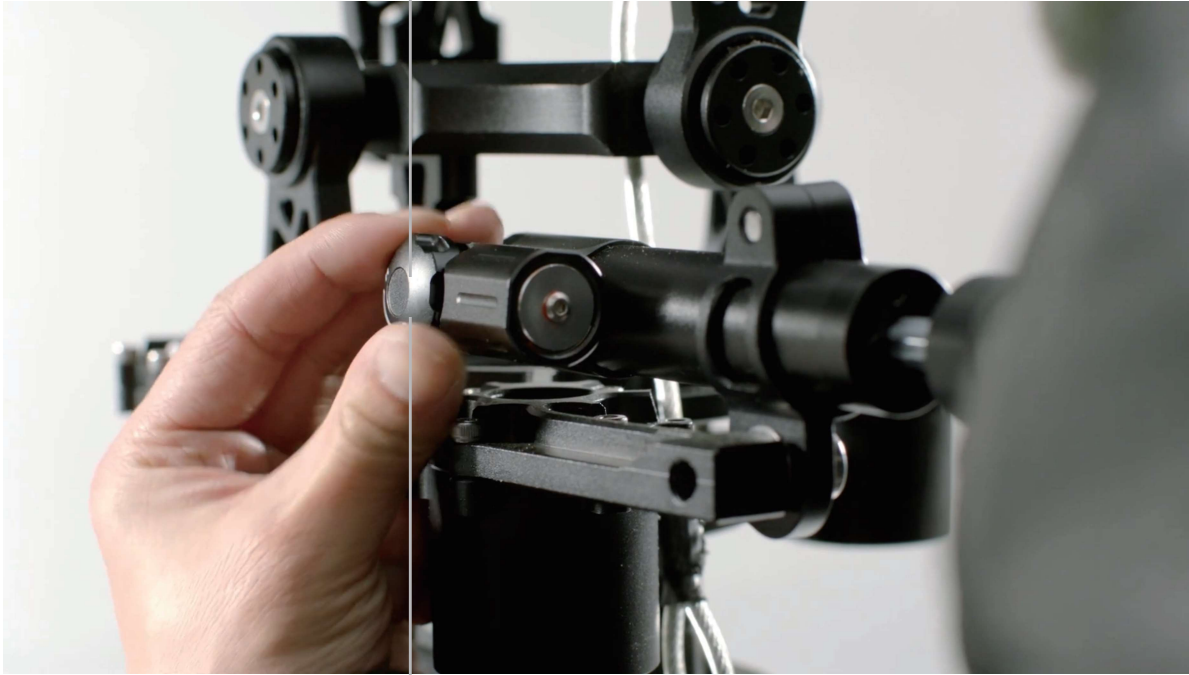
Air shock absorber locker  
+ Unlock - lock



Rebound speed adjustment knob



Horizontal damping adjustment knob.  
H direction = Increase Damping



Increase the damping according to the increase  
of the G value in the horizontal direction



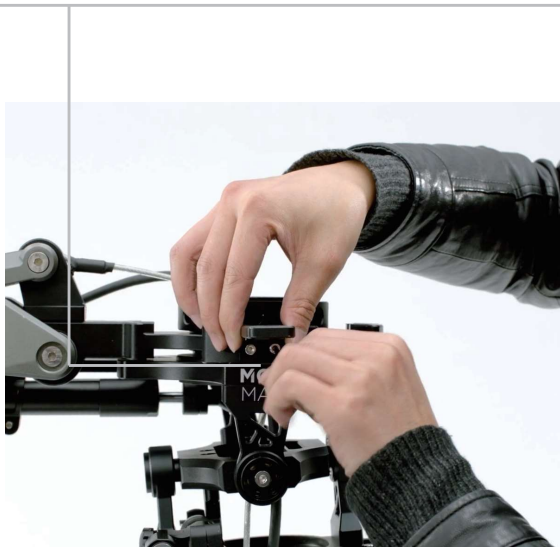
Test the horizontal  
shock absorption  
effect by swinging  
back to the middle  
speed

## DJI Ronin 2 Battery Bracket Installation

(Separate installation of battery and stabilizer helps reduce unsprung mass and achieve better shooting effect)



## Video Transmitter Bracket Installation



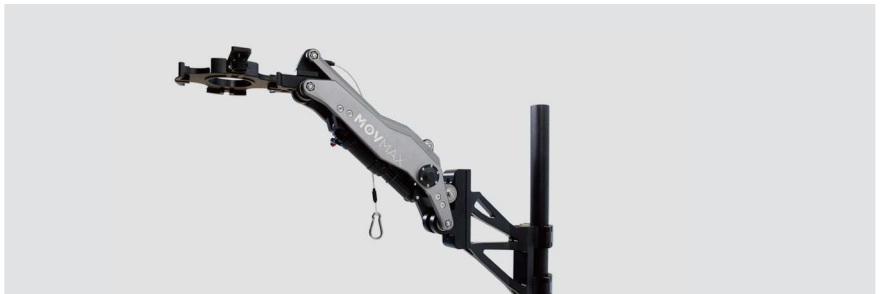
# Unique Inverted Camera Installation



## N2 Accessory



N2 Extension Bracket



N2 Arm Extension Bracket Locker Mode



N2 EURO Adapter



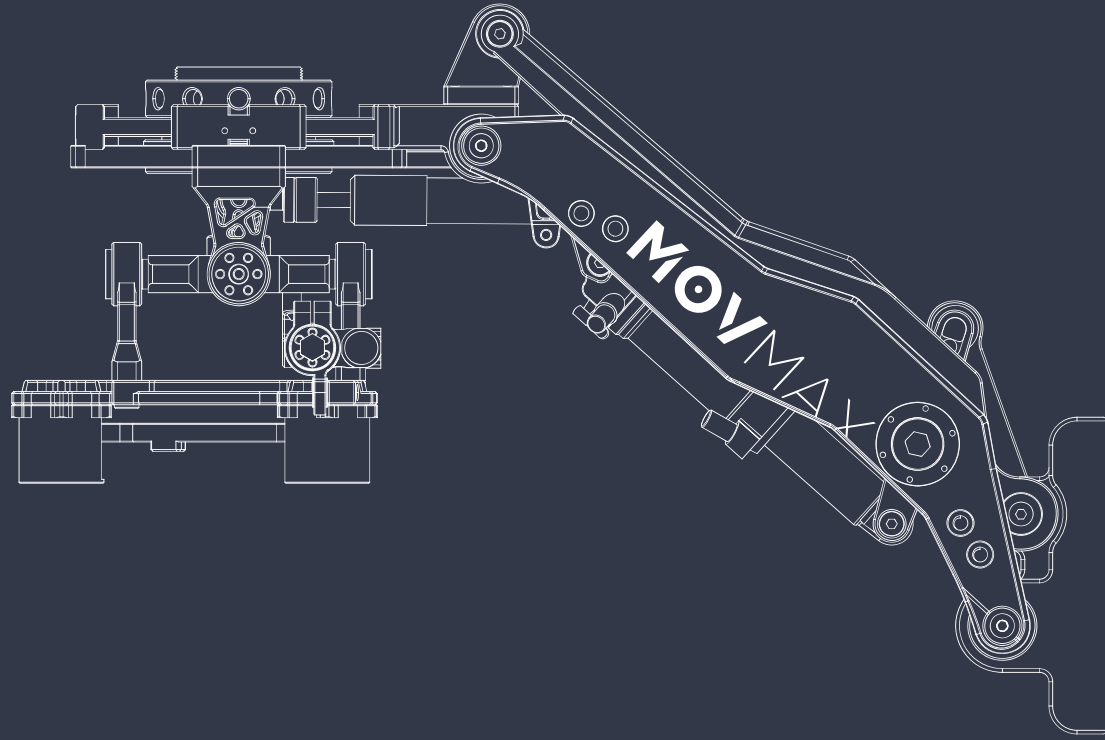
N2 ARM EURO Adapter Connection Mode



N2 Mitchell Adapter



N2 Arm 150mm Bowl/Mitchell Adapter Connection Mode



 @movmaxglobal

 @movmaxglobal

 +86 400-014-7080

 8F, NO.2, Huachen Century Square, Yuhua District  
Changsha City, Hunan Province, China. 410007

 info@vaxis.cn